

4

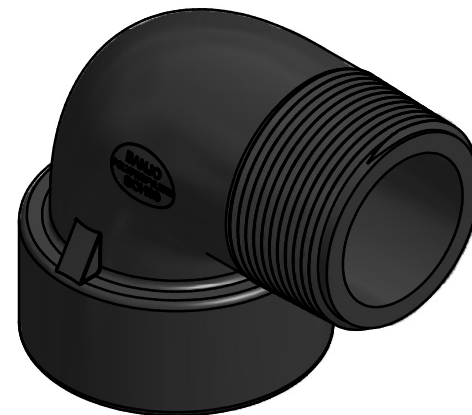
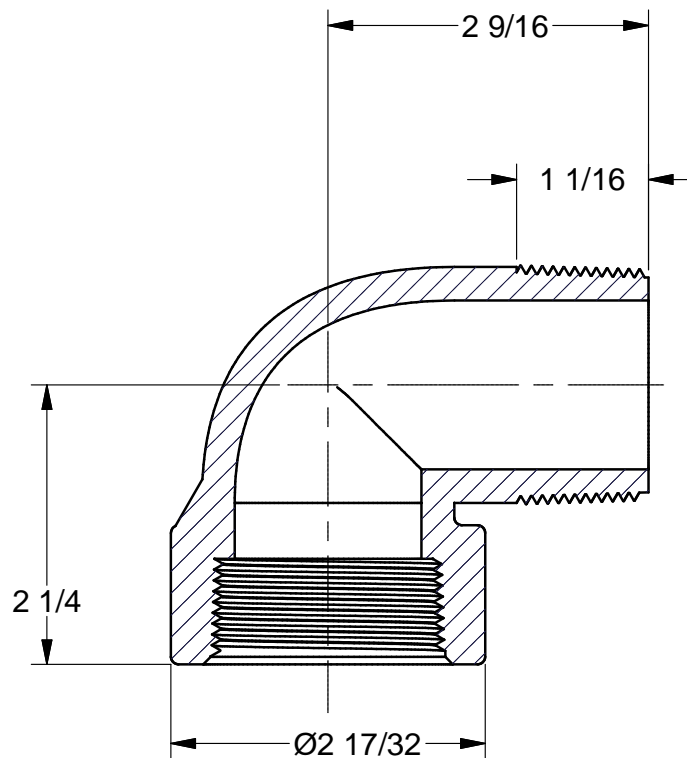
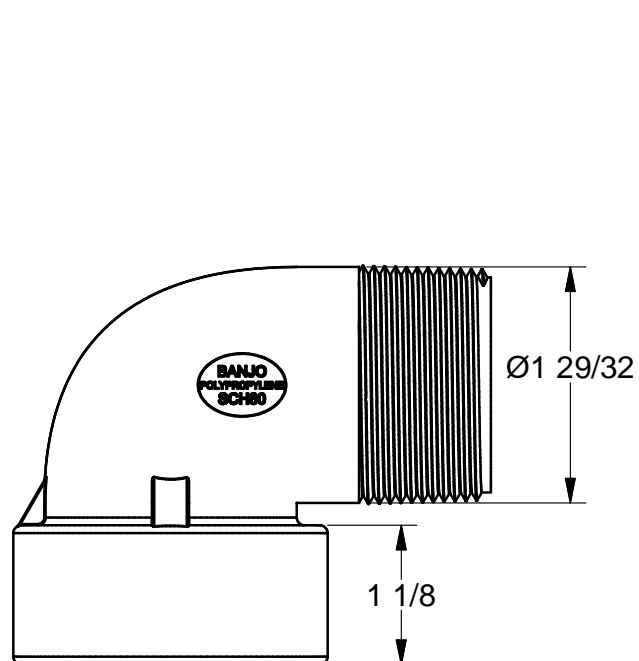
3



2

1

B



B



A

Note: Parts are to be bagged.

4

3



2

1

THIS DRAWING AND ALL  
INFORMATION CONTAINED THEREON  
ARE THE EXCLUSIVE PROPERTY OF  
BANJO CORPORATION.

UNLESS SPECIFICALLY NOTED, THIS  
DRAWING AND ITEMS SHOWN ON  
THIS DRAWING ARE SUBJECT TO  
CHANGE AT ANY TIME.



**BANJO CORPORATION**  
150 BANJO DRIVE, CRAWFORDSVILLE, IN 47933  
WEB SITE: WWW.BANJOCORP.COM  
E-MAIL: SALES1@BANJOCORP.COM

DESCRIPTION  
1 1/2" 90 DEG. STREET ELBOW

PART NUMBER  
SL150-90